



Apex Microwave Co. LTD

Web: www.apextech-mw.com E-mail: sales@apextech-mw.com TEL: [+86-28-85555062](tel:+86-28-85555062)

Add: Yuehu Technology Center, Wuhou District, Chengdu, Sichuan, China

Power Tapper 136-2700MHz

Revision record

Date	Version	Author	Revision description	Comment
2025/02/12	V1.2	Vivian	Created	/

APT136M2700MxdBNF

Electrical specification

Parameter		Specifications						
Frequency range(MHz)		136-350 / 350-960 / 1710-2700MHz						
Coupling (dB)		5	6	7	8	10	15	20
Range (dB)	136-350	6.4±1.1	7.9±1.1	8.5±1.1	9.4±1.1	11.0±1.1	15.3±0.8	19.8±0.6
	350-960	5.0±1.2	6.3±1.0	7.3±0.8	8.3±0.7	9.8±0.6	14.7±0.6	19.7±0.6
	1710-2700	5.0±0.6	6.0±0.6	7.0±0.6	8.0±0.6	10.0±0.6	15.0±0.8	20.4±0.6
VSWR	350-960	1.35:1	1.30:1			1.25:1		
	1710-2700	1.25:1						
Intermodulation (dBc)		-160, 2x43dBm (Reflection Measurement 900MHz 1800MHz)						



Apex Microwave Co. LTD

Web: www.apextech-mw.com E-mail: sales@apextech-mw.com TEL: [+86-28-85555062](tel:+86-28-85555062)

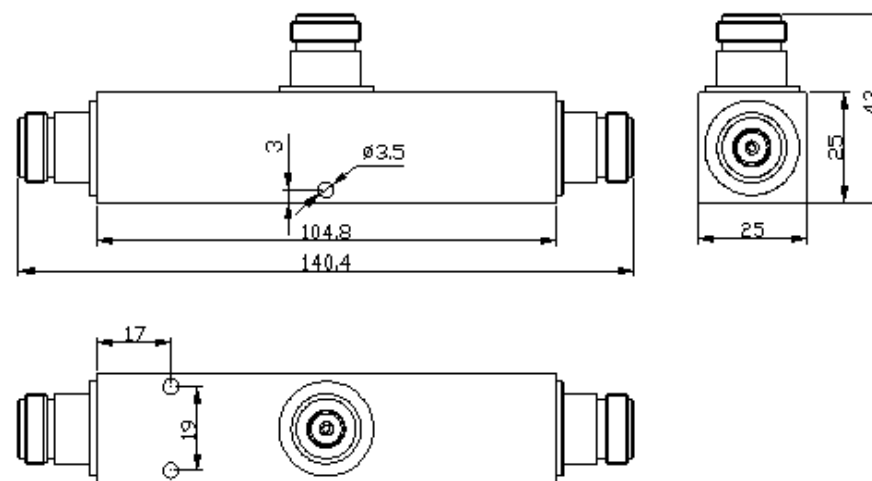
Add: Yuehu Technology Center, Wuhou District, Chengdu, Sichuan, China

Power Rating(W)	200
Impedance(Ω)	50
Operational Temperature	-35°C to +85°C

Mechanical specification

Dimension	140.4x 43.0 x 25.0mm
Connector	N-Female
Applications	IP65
Notes	Material shall be RoHS 6/6

Outline



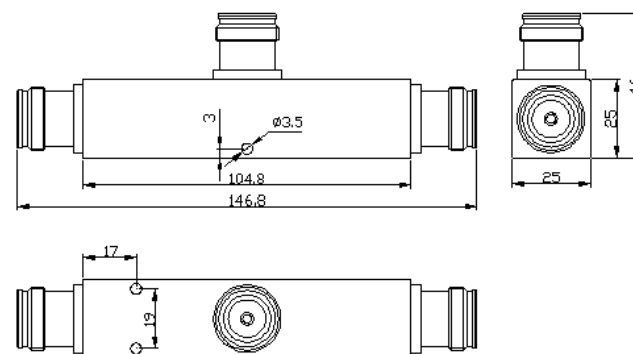
APT136M2700MxdB4310F

Parameter		Specifications						
Frequency range(MHz)		136-350 / 350-960 / 1710-2700MHz						
Coupling (dB)		5	6	7	8	10	15	20
Range (dB)	136-350	6.4±1.1	7.9±1.1	8.5±1.1	9.4±1.1	11.0±1.1	15.3±0.8	19.8±0.6
	350-960	5.0±1.2	6.3±1.0	7.3±0.8	8.3±0.7	9.8±0.6	14.7±0.6	19.7±0.6
	1710-2700	5.0±0.6	6.0±0.6	7.0±0.6	8.0±0.6	10.0±0.6	15.0±0.8	20.4±0.6
VSWR	350-960	1.35:1	1.30:1			1.25:1		
	1710-2700	1.25:1						
Intermodulation (dBc)		-160, 2x43dBm (Reflection Measurement 900MHz 1800MHz)						
Power Rating(W)		200						
Impedance(Ω)		50						
Operational Temperature		-35°C to +85°C						

Mechanical specification

Dimension	146.8x 46.0 x 25.0mm
Connector	4310-Female
Applications	IP65
Notes	Material shall be RoHS 6/6

Outline



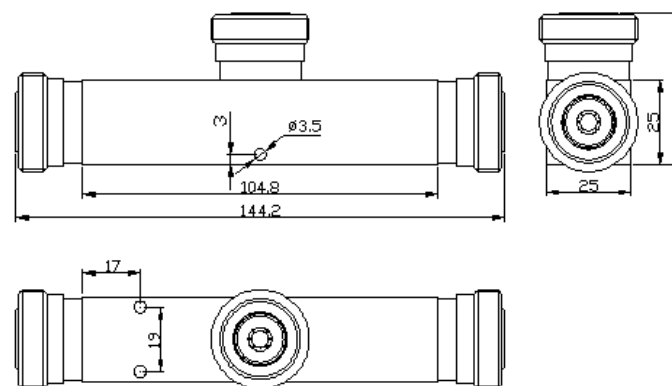
APT136M2700MxdBDINF

Parameter		Specifications						
Frequency range(MHz)		136-350 / 350-960 / 1710-2700MHz						
Coupling (dB)		5	6	7	8	10	15	20
Range (dB)	136-350	6.4±1.1	7.9±1.1	8.5±1.1	9.4±1.1	11.0±1.1	15.3±0.8	19.8±0.6
	350-960	5.0±1.2	6.3±1.0	7.3±0.8	8.3±0.7	9.8±0.6	14.7±0.6	19.7±0.6
	1710-2700	5.0±0.6	6.0±0.6	7.0±0.6	8.0±0.6	10.0±0.6	15.0±0.8	20.4±0.6
VSWR	350-960	1.35:1	1.30:1			1.25:1		
	1710-2700	1.25:1						
Intermodulation (dBc)		-160, 2x43dBm (Reflection Measurement 900MHz 1800MHz)						
Power Rating(W)		200						
Impedance(Ω)		50						
Operational Temperature		-35°C to +85°C						

Mechanical specification

Dimension	144.2 x 45.0 x25.0mm
Connector	DIN-Female
Applications	IP65
Notes	Material shall be RoHS 6/6

Outline





Apex Microwave Co. LTD

Web: www.apextech-mw.com E-mail: sales@apextech-mw.com TEL: [+86-28-85555062](tel:+86-28-85555062)

Add: Yuehu Technology Center, Wuhou District, Chengdu, Sichuan, China

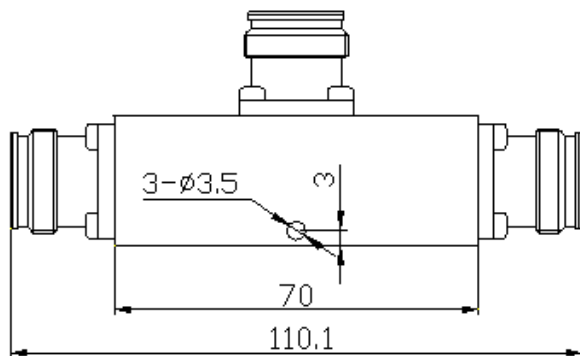
APT136M2700M30dBxF

Parameter		Specifications
Frequency range(MHz)		136-350 / 350-960 / 1710-2700MHz
Coupling (dB)		30
Range (dB)	136-350	29±1
	350-960	29±1
	1710-2700	29±1
VSWR	350-960	1.25:1
	1710-2700	
Intermodulation (dBc)		-160, 2x43dBm (Reflection Measurement 900MHz 1800MHz)
Power Rating(W)		200
Impedance(Ω)		50
Operational Temperature		-35°C to +85°C

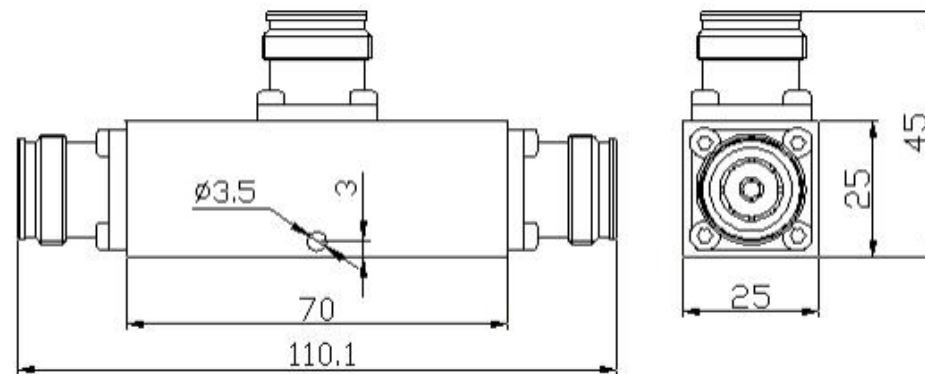
Mounting bracket Outline

Parameter		Specifications
Dimension		110.1 x 45.0 x 25.0mm
Connector		DIN-Female or 4310-Female or N-Female
Applications		IP65
Notes		Material shall be RoHS 6/6

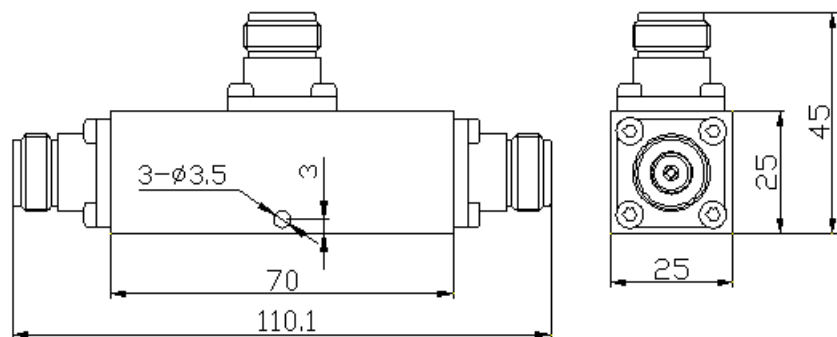
Outline



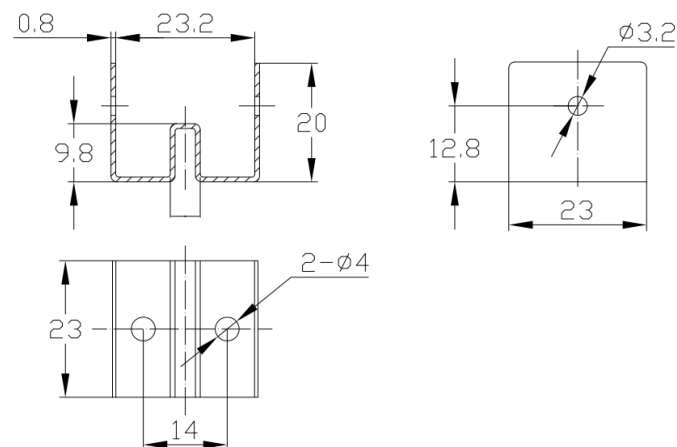
APT136M2700M30dBINF



APT136M2700M30Db4310F



APT136M2700M30dBNF



Mounting bracket